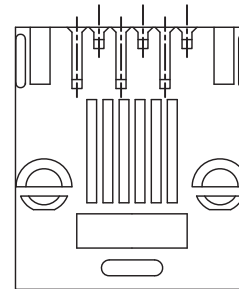
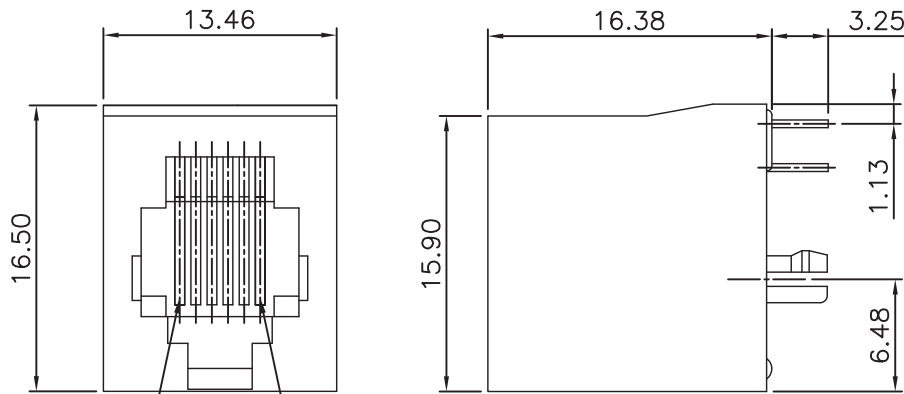
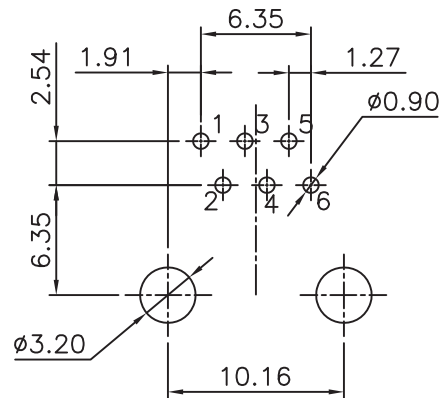


SPECIFICATIONS

Current Rating: 1.5 Amps
 Insulator Resistance: 500 Megohms min.
 Contact Resistance: 20 m ohms max.
 Dielectric withstanding: AC 1000V
 Operating Temperature: -40°C~+85°C
 Contact Material: Phosphor Bronze
 Insulator Material: Polyester, UL 94V-0, P.B.T.
 or Nylon-6T
 Contact Plating: Gold Plating over Nickel



Pin1 Pin2



Recommended PCB Layout (Top View)

AMJ-009A-6XXXX-X-XX

G: RoHS Compliant-P.B.T.
 FG: High Temp RoHS-Nylon-6T

No. of Contacts
 2
 4
 6

P: P.B.T.
 N: Nylon-6T
 Contact Plating

Definition	Code
6u" Gold:	VG2
15u" Gold:	VG4
30u" Gold:	VG6
50u" Gold:	VG7

APTOS Technology CONFIDENTIAL
 This document, and all information it contains, are the confidential, proprietary property of APTOS Technology. Disclosure, duplication or distribution of this document, or any information it contains, in whole or part, without prior written permission from APTOS Technology is strictly prohibited

GENERAL TOLERANCE UNLESS OTHERWISE SPECIFIED	
XXX. ± X	.XX ± 0.25
XX. ± X	.XXX ± 0.13
X. ± X	X' ± X'
.X ± X	.X' ± X'

REV.	A	DRAWN	09/15/09
DATE	09/15/09	CHECKED	
SCALE	As shown	APPROVED	
UNIT	mm		SIZE A4

AP APTOS TECHNOLOGY

AMJ Series

Modular Jack, 6P6C, Top Entry

PRODUCT NO. AMJ-009A-6XXXX-X-XX

FILE NAME: AMJ-009A-G LF APD.DWG